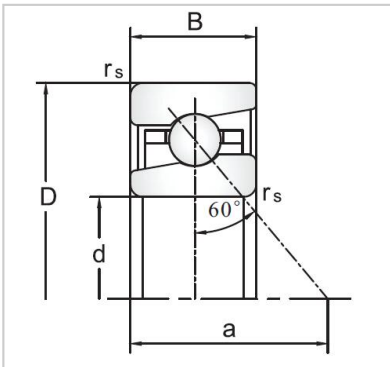
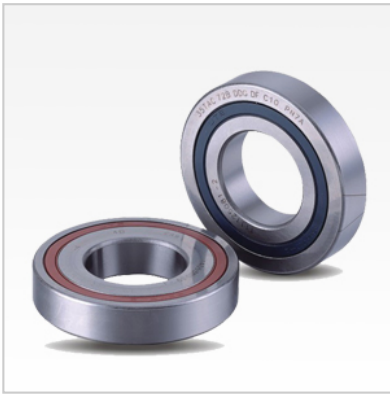


Angular Contact Ball Bearings

BS/TAC Series Ball Screw Support Angular Contact Ball Bearings-BS4090



Bearing NO.

BS **BS4090**

TAC 40TAC90C

Dimensions(mm)

d **40**

D **90**

B 20

r Min 1

r1 Max 0.6

Load Ca (N) 62

Rotation [min-1]

Lub. 3500

Oil. 4600

Stiffness (DB,DF) (N) H 3450

Rigidity (DB,DF) (N/μm) 1150

H

Torque (N□m) H 0.29

Weight (kg) 0.674