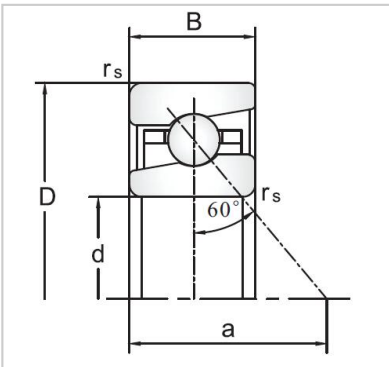
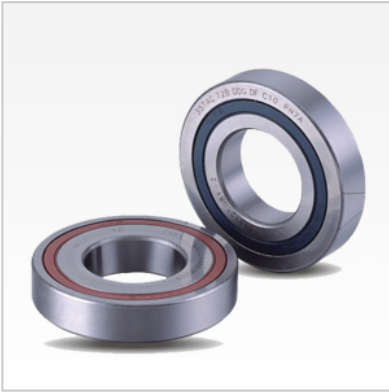


## Angular Contact Ball Bearings

### BS/TAC Series Ball Screw Support Angular Contact Ball Bearings-BS4072



Bearing NO.

BS **BS4072**

TAC 40TAC72C

Dimensions(mm)

d **40**

D **72**

B 15

r Min 1

r1 Max 0.6

Load Ca (N) 33.5

Rotation [min-1]

Lub. 4100

Oil. 5500

Stiffness (DB,DF) (N) H 2860

Rigidity (DB,DF) (N/μm) 1080

H

Torque (N·m) H 0.19

Weight (kg) 0.275