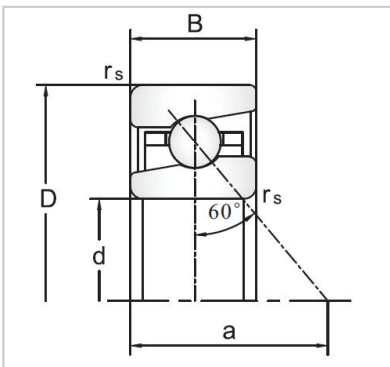
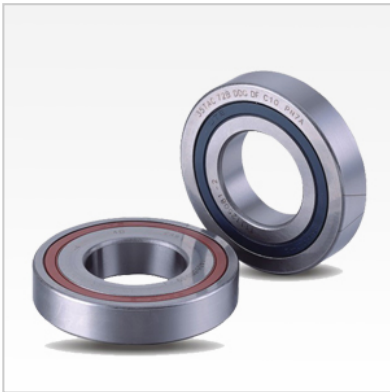


Angular Contact Ball Bearings

BS/TAC Series Ball Screw Support Angular Contact Ball Bearings-BS2562



Bearing NO.

BS **BS2562**

TAC 25TAC62C

Dimensions(mm)

d **25**

D **62**

B 15

r Min 1

r1 Max 0.6

Load Ca (N) 29.9

Rotation [min-1]

Lub. 5200

Oil. 6900

Stiffness (DB,DF) (N) H 2280

Rigidity (DB,DF) (N/μm) 850

H

Torque (N·m) H 0.15

Weight (kg) 0.252