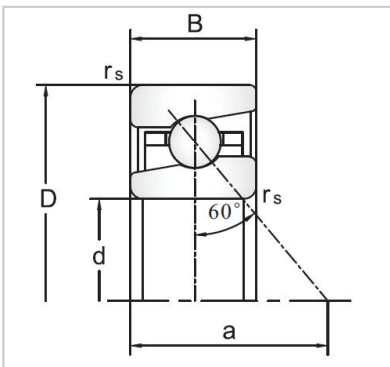
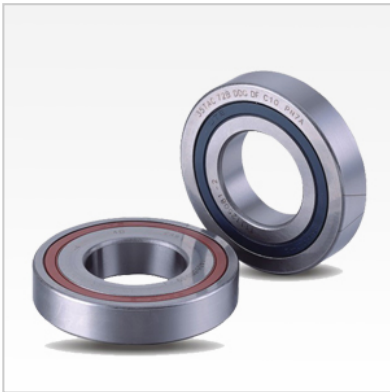


Angular Contact Ball Bearings

BS/TAC Series Ball Screw Support Angular Contact Ball Bearings-BS2047



Bearing NO.

BS	BS2047
TAC	20TAC47C

Dimensions(mm)

d	20
D	47
B	15
r Min	1
r1 Max	0.6
Load Ca (N)	23

Rotation [min-1]

Lub.	6900
Oil.	9200

Stiffness (DB,DF) (N) H	1450
-------------------------	------

Rigidity (DB,DF) (N/μm) H	630
---------------------------	-----

Torque (N□m) H	0.09
----------------	------

Weight (kg)	0.135
-------------	-------