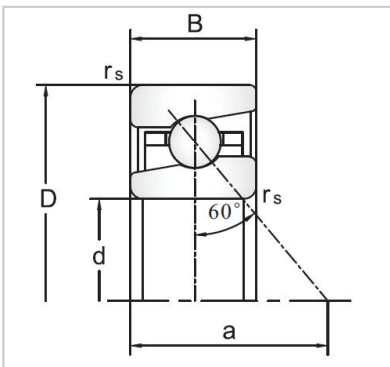
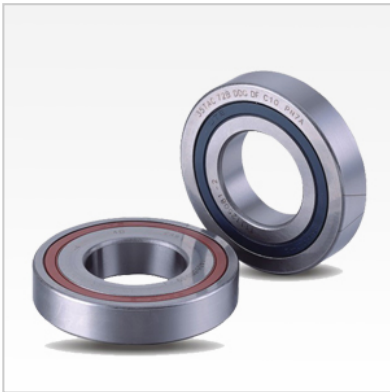


Angular Contact Ball Bearings

BS/TAC Series Ball Screw Support Angular Contact Ball Bearings-BS1747



Bearing NO.

BS **BS1747**

TAC 17TAC47C

Dimensions(mm)

d **17**

D **47**

B 15

r Min **1**

r1 Max 0.6

Load Ca (N) 23

Rotation [min-1]

Lub. 6900

Oil. 9200

Stiffness (DB,DF) (N) H 1450

Rigidity (DB,DF) (N/μm) 630

H

Torque (N·m) H 0.09

Weight (kg) 0.14