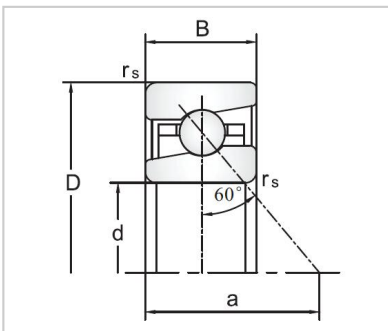
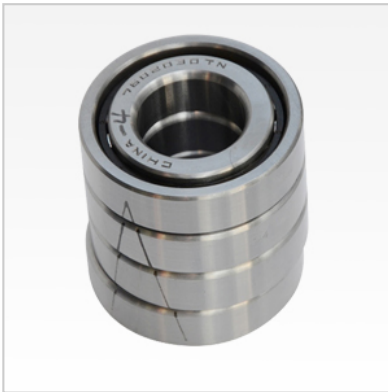


## Angular Contact Ball Bearings

### 76030 Ball Screw Support Angular Contact Ball Bearings-7603050TVP



Bearing No.	<b>7603050TVP</b>
Dimensions	
D	<b>50</b>
d	110
B	27
R	2
a	83
Mounting dimensions	
da	72
Da	94
Ra	2
Loading	
Ca	69.5
Coa	127
RPM	
Lub.	5000
Oil	6700
Prelaoding	7.6
Stiffness	1600
Fam	21
Friction	360
Fat content	16
Weight	1.33