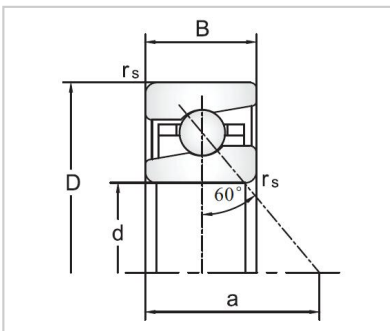
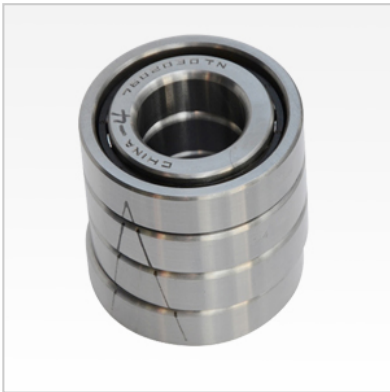


Angular Contact Ball Bearings

76030 Ball Screw Support Angular Contact Ball Bearings-7602050TVP



Bearing No.	7602050TVP
Dimensions	
D	50
d	90
B	20
R	1.1
a	71
Mounting dimensions	
da	63
Da	79
Ra	1.1
Loading	
Ca	39
Coa	75
RPM	
Lub.	6300
Oil	8500
Prelaoding	4.9
Stiffness	1360
Fam	14
Friction	230
Fat content	7.2
Weight	0.67