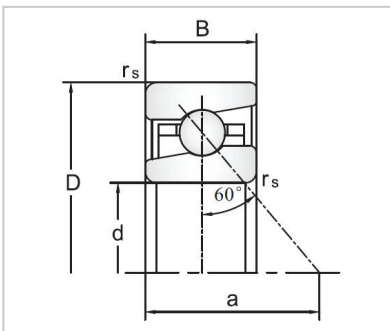


Angular Contact Ball Bearings

76020 Series Ball Screw Support Angular Contact Ball Bearings-7603055TVP



Bearing NO.	7603055TVP
Dimension(mm)	
d	55
D	120
B	29
R _{smin}	2
a	90
Assembly Dimension	
da	77
Da	101
Ra	2
Loading(KN)	
Ca	78
Coa	146
RPM(r/min)	
Lub.	4800
Oil	6300
Preload(KN)	
F _{a0}	8.8
Stiffness(N/μm)	1720
Unload(KN)	
F _{am}	25
Friction(Nmm)	
torque	460
Grease filling(g)	
Reference quantity	20
Weight(kg)	
≈	1.69