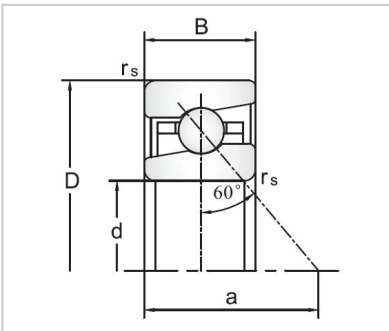


Angular Contact Ball Bearings

76020 Series Ball Screw Support Angular Contact Ball Bearings-7603050TVP



Bearing NO.	7603050TVP
Dimension(mm)	
d	50
D	110
B	27
R _{smin}	2
a	83
Assembly Dimension	
da	72
Da	94
Ra	2
Loading(KN)	
Ca	69.5
Coa	127
RPM(r/min)	
Lub.	5000
Oil	6700
Preload(KN)	
F _{a0}	7.6
Stiffness(N/μm)	1600
Unload(KN)	
F _{am}	21
Friction(Nmm)	
torque	360
Grease filling(g)	
Reference quantity	16
Weight(kg)	
≈	1.33