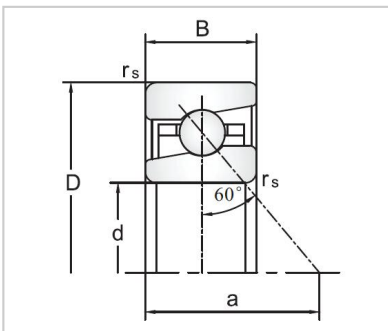


Angular Contact Ball Bearings

76020 Series Ball Screw Support Angular Contact Ball Bearings-7603040TVP



Bearing NO.	7603040TVP
Dimension(mm)	
d	40
D	90
B	23
R _{smin}	1.5
a	68
Assembly Dimension	
da	56.5
Da	75.7
Ra	1.5
Loading(KN)	
Ca	50
Coa	83
RPM(r/min)	
Lub.	6300
Oil	8500
Preload(KN)	
Fa ₀	5.6
Stiffness(N/μm)	1290
Unload(KN)	
Fa _m	16
Friction(Nmm)	
torque	225
Grease filling(g)	
Reference quantity	9.2
Weight(kg)	
≈	0.76