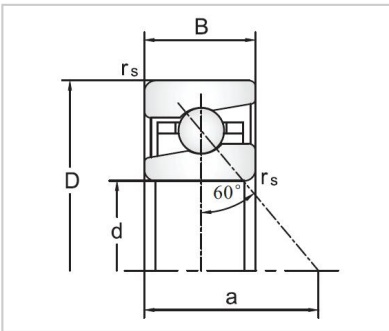


Angular Contact Ball Bearings

76020 Series Ball Screw Support Angular Contact Ball Bearings-7603025TVP



Bearing NO.	7603025TVP
Dimension(mm)	
d	25
D	62
B	17
R _{smin}	1.1
a	46
Assembly Dimension	
da	38
Da	52
Ra	1.1
Loading(KN)	
Ca	28.5
Coa	41.5
RPM(r/min)	
Lub.	9000
Oil	13000
Preload(KN)	
F _{a0}	3.3
Stiffness(N/μm)	910
Unload(KN)	
F _{am}	9.5
Friction(Nmm)	
torque	85
Grease filling(g)	
Reference quantity	3.5
Weight(kg)	
≈	0.28