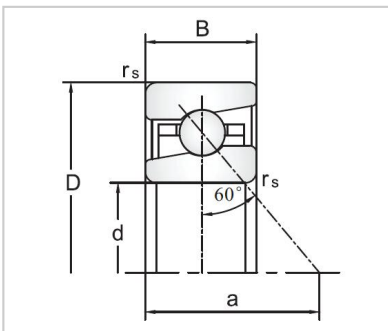


Angular Contact Ball Bearings

76020 Series Ball Screw Support Angular Contact Ball Bearings-7602090TVP



Bearing NO.	7602090TVP
Dimension(mm)	
d	90
D	160
B	30
R _{smin}	2
a	123
Assembly Dimension	
da	113.5
Da	133.5
R _a	2
Loading(KN)	
C _a	98
Co _a	224
RPM(r/min)	
Lub.	3600
Oil	4800
Preload(KN)	
F _{a0}	11
Stiffness(N/μm)	2270
Unload(KN)	
F _{am}	31
Friction(Nmm)	
torque	790
Grease filling(g)	
Reference quantity	30
Weight(kg)	
≈	2.69