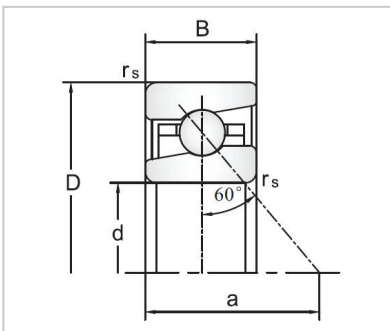


Angular Contact Ball Bearings

76020 Series Ball Screw Support Angular Contact Ball Bearings-7602080TVP



Bearing NO.	7602080TVP
Dimension(mm)	
d	80
D	140
B	26
R _{smin}	2
a	108
Assembly Dimension	
da	100
Da	122
Ra	2
Loading(KN)	
Ca	76.5
Coa	175
RPM(r/min)	
Lub.	4000
Oil	5300
Preload(KN)	
Fa ₀	8.9
Stiffness(N/μm)	2040
Unload(KN)	
Fa _m	25
Friction(Nmm)	
torque	600
Grease filling(g)	
Reference quantity	20
Weight(kg)	
≈	1.76