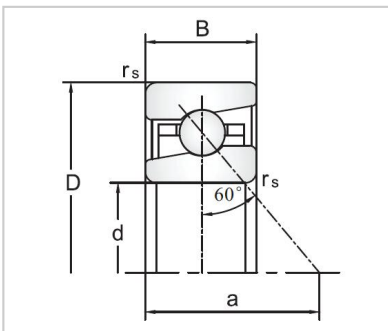


Angular Contact Ball Bearings

76020 Series Ball Screw Support Angular Contact Ball Bearings-7602070TVP



Bearing NO.	7602070TVP
Dimension(mm)	
d	70
D	125
B	24
R _{smin}	1.5
a	96
Assembly Dimension	
da	87.5
Da	108.5
Ra	1.5
Loading(KN)	
Ca	65.5
Coa	137
RPM(r/min)	
Lub.	4500
Oil	6000
Preload(KN)	
F _{a0}	7
Stiffness(N/μm)	1880
Unload(KN)	
F _{am}	21
Friction(Nmm)	
torque	480
Grease filling(g)	
Reference quantity	17
Weight(kg)	
≈	1.45