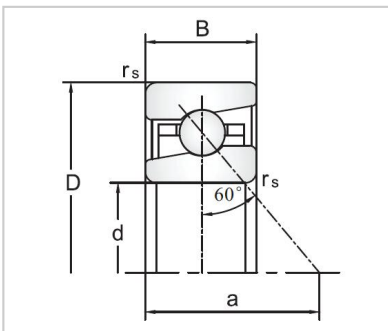


Angular Contact Ball Bearings

76020 Series Ball Screw Support Angular Contact Ball Bearings-7602040TVP



Bearing NO.	7602040TVP
Dimension(mm)	
d	40
D	80
B	18
R _{smin}	1.1
a	62
Assembly Dimension	
da	53.5
Da	68.5
Ra	1.1
Loading(KN)	
Ca	37.5
Coa	64
RPM(r/min)	
Lub.	7000
Oil	9500
Preload(KN)	
Fa ₀	4.3
Stiffness(N/μm)	1180
Unload(KN)	
Fa _m	12
Friction(Nmm)	
torque	170
Grease filling(g)	
Reference quantity	5
Weight(kg)	
≈	0.44