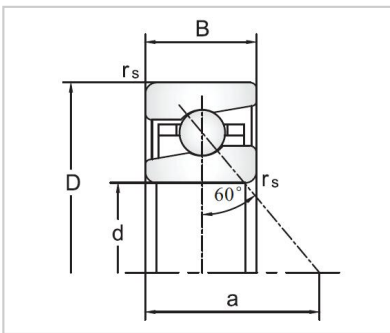


## Angular Contact Ball Bearings

### 76020 Series Ball Screw Support Angular Contact Ball Bearings-7602030TVP



Bearing NO.	<b>7602030TVP</b>
Dimension(mm)	
d	<b>30</b>
D	62
B	16
R <sub>smin</sub>	1
a	48
Assembly Dimension	
da	39.5
Da	52.5
R <sub>a</sub>	1
Loading(KN)	
C <sub>a</sub>	26
Co <sub>a</sub>	39
RPM(r/min)	
Lub.	9000
Oil	13000
Preload(KN)	
F <sub>a0</sub>	2.9
Stiffness(N/μm)	890
Unload(KN)	
F <sub>am</sub>	8.3
Friction(Nmm)	
torque	85
Grease filling(g)	
Reference quantity	<b>3</b>
Weight(kg)	
≈	0.24