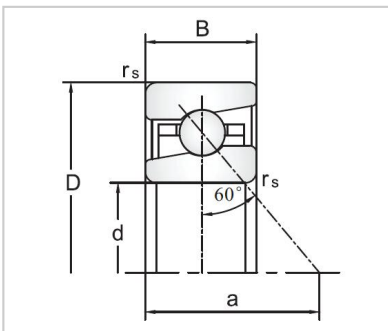


Angular Contact Ball Bearings

76020 Series Ball Screw Support Angular Contact Ball Bearings-7602020TVP



Bearing NO.	7602020TVP
Dimension(mm)	
d	20
D	47
B	14
R _{smin}	1
a	36
Assembly Dimension	
da	27.5
Da	39.5
R _a	1
Loading(KN)	
C _a	19.3
C _{oa}	25
RPM(r/min)	
Lub.	12000
Oil	17000
Preload(KN)	
F _{a0}	2.3
Stiffness(N/μm)	700
Unload(KN)	
F _{am}	6.6
Friction(Nmm)	
torque	50
Grease filling(g)	
Reference quantity	1.6
Weight(kg)	
≈	0.13