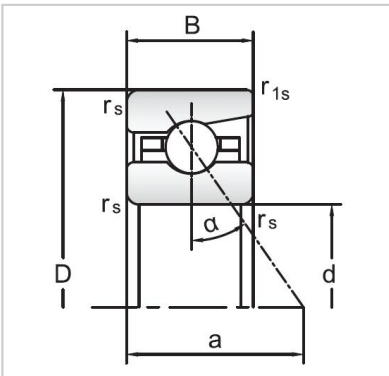


## Angular Contact Ball Bearings

### 72 Series Angular Contact Ball Bearings-7240AC



Bearing NO.	<b>7240AC</b>
Dimensions(mm)	
d	200
D	360
B	58
ramin	<b>4</b>
r1min	1.5
Mounting dimensions	
da min	242
Da/Db max	318.5
ra max	<b>4</b>
rb max	1.5
Loading kN	
Cr	314.2
Cor	532.3
Limited Speed r/min	
Lub.	3000
Oil.	4500
Prelaoding N	
A(L)	2800
B(M)	8400
C(H)	16800
Axial rigidityRa N/μm	
A(L)	538
B(M)	756
C(H)	951
Weight Kg ≈	24.49