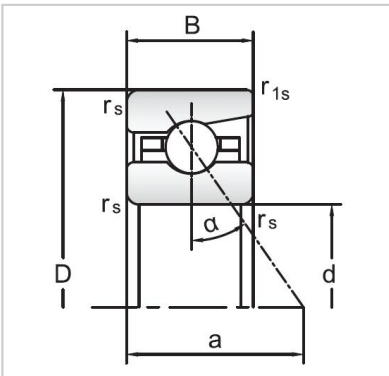


Angular Contact Ball Bearings

72 Series Angular Contact Ball Bearings-7238AC



| | |
|-----------------------|---------------|
| Bearing NO. | 7238AC |
| Dimensions(mm) | |
| d | 190 |
| D | 340 |
| B | 55 |
| r _{amin} | 4 |
| r _{1min} | 1.5 |
| Mounting dimensions | |
| da min | 227 |
| Da/Db max | 303.5 |
| ra max | 4 |
| rb max | 1.5 |
| Loading kN | |
| Cr | 305.1 |
| Cor | 500.1 |
| Limited Speed r/min | |
| Lub. | 3200 |
| Oil. | 4800 |
| Prelaoding N | |
| A(L) | 2700 |
| B(M) | 8100 |
| C(H) | 16200 |
| Axial rigidityRa N/μm | |
| A(L) | 515 |
| B(M) | 724 |
| C(H) | 910 |
| Weight Kg ≈ | 20.29 |