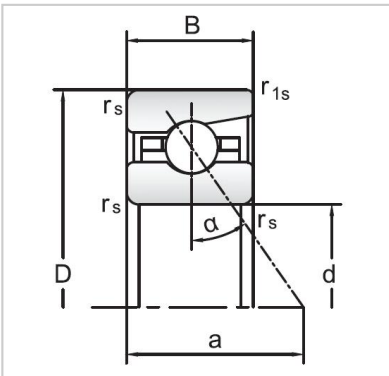


## Angular Contact Ball Bearings

### 72 Series Angular Contact Ball Bearings-7230C



Bearing NO.	<b>7230C</b>
Dimensions(mm)	
d	150
D	270
B	45
ramin	<b>3</b>
r1min	1.1
Mounting dimensions	
da min	178.5
Da/Db max	242
ra max	<b>3</b>
rb max	1.1
Loading kN	
Cr	240.9
Cor	341.5
Limited Speed r/min	
Lub.	4500
Oil.	6700
Prelaoding N	
A(L)	1280
B(M)	3800
C(H)	7600
Axial rigidityRa N/μm	
A(L)	158
B(M)	229
C(H)	290
Weight Kg ≈	10.38