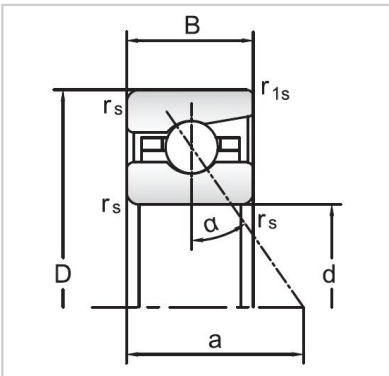


Angular Contact Ball Bearings

72 Series Angular Contact Ball Bearings-7230AC



Bearing NO.	7230AC
Dimensions(mm)	
d	150
D	270
B	45
ramin	3
r1min	1.1
Mounting dimensions	
da min	178.5
Da/Db max	242
ra max	3
rb max	1.1
Loading kN	
Cr	228.7
Cor	325.5
Limited Speed r/min	
Lub.	4000
Oil.	6000
Prelaoding N	
A(L)	2050
B(M)	6100
C(H)	12200
Axial rigidityRa N/μm	
A(L)	426
B(M)	599
C(H)	753
Weight Kg ≈	10.38