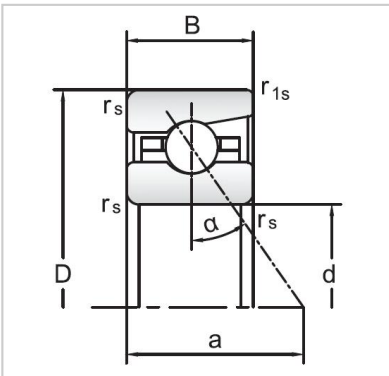


Angular Contact Ball Bearings

72 Series Angular Contact Ball Bearings-7217C



Bearing NO.	7217C
Dimensions(mm)	
d	85
D	150
B	28
r _{amin}	2
r _{lmin}	1
Mounting dimensions	
da min	98.5
Da/Db max	137
ra max	2
rb max	1
Loading kN	
Cr	97.4
Cor	107.5
Limited Speed r/min	
Lub.	8500
Oil.	14000
Prelaoding N	
A(L)	515
B(M)	1540
C(H)	3080
Axial rigidityRa N/μm	
A(L)	93
B(M)	134
C(H)	169
Weight Kg ≈	1.96