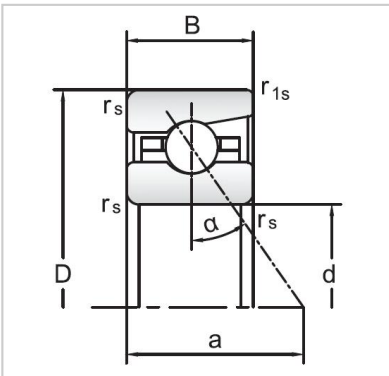


Angular Contact Ball Bearings

72 Series Angular Contact Ball Bearings-7217AC



Bearing NO.	7217AC
Dimensions(mm)	
d	85
D	150
B	28
r _{amin}	2
r _{1min}	1
Mounting dimensions	
da min	98.5
Da/Db max	137
ra max	2
rb max	1
Loading kN	
Cr	92.5
Cor	102.4
Limited Speed r/min	
Lub.	7500
Oil.	12000
Prelaoding N	
A(L)	825
B(M)	2470
C(H)	4940
Axial rigidityRa N/μm	
A(L)	247
B(M)	347
C(H)	436
Weight Kg ≈	1.96