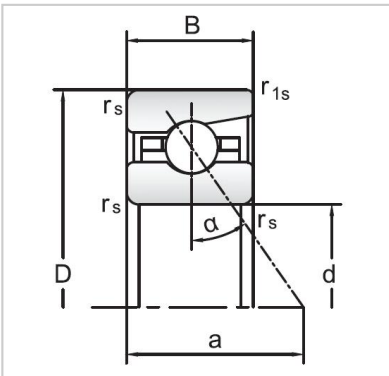


Angular Contact Ball Bearings

72 Series Angular Contact Ball Bearings-7215AC



Bearing NO.	7215AC
Dimensions(mm)	
d	75
D	130
B	25
r _{amin}	1.5
r _{lmin}	0.6
Mounting dimensions	
da min	86.5
Da/Db max	118.5
ra max	1.5
rb max	0.6
Loading kN	
Cr	68.9
Cor	76.3
Limited Speed r/min	
Lub.	8500
Oil.	14000
Prelaoding N	
A(L)	615
B(M)	1840
C(H)	3680
Axial rigidityRa N/μm	
A(L)	220
B(M)	309
C(H)	388
Weight Kg ≈	1.29