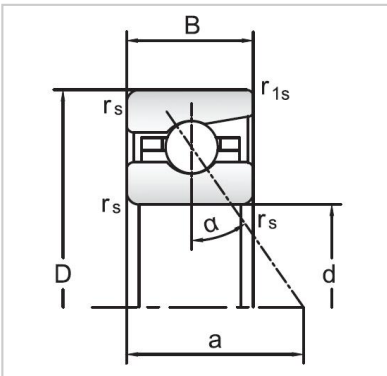


Angular Contact Ball Bearings

72 Series Angular Contact Ball Bearings-7213AC



Bearing NO.	7213AC
Dimensions(mm)	
d	65
D	120
B	23
ramin	1.5
r1min	0.6
Mounting dimensions	
da min	76.5
Da/Db max	108.5
ra max	1.5
rb max	0.6
Loading kN	
Cr	64.2
Cor	65.8
Limited Speed r/min	
Lub.	9500
Oil.	16000
Prelaoding N	
A(L)	570
B(M)	1710
C(H)	3420
Axial rigidityRa N/μm	
A(L)	198
B(M)	277
C(H)	348
Weight Kg ≈	1.08