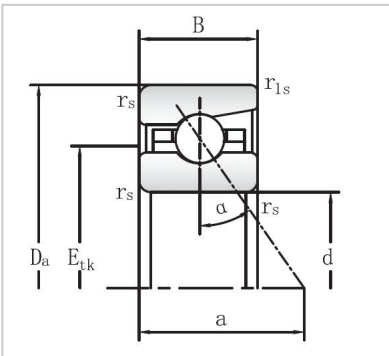


## Angular Contact Ball Bearings

### 719 Series Angular Contact Ball Bearings-71932



Bearing NO.	<b>71932</b>
Dimensions	
d mm	160
D mm	220
B mm	28
r <sub>s</sub> min	<b>2</b>
r <sub>1s</sub> min	<b>1</b>
Assemnly Dimensions	
da h12	170
Da H12	209
ra max	<b>1</b>
rb max	<b>1</b>
E <sub>tk</sub>	184.3
Loading	
C <sub>dyn</sub> kN	125
C <sub>0</sub> stat kN	150
RPM	
Grease min-1	5000
Oil minimal	7500
FV	
L (N)	727
M (N)	2341
H	4793
KaE	
L	2238
M	7755
H	16952
Sa	
L (N/μm)	146.1
M	245.5
H	351.4
Weight kg	2.7