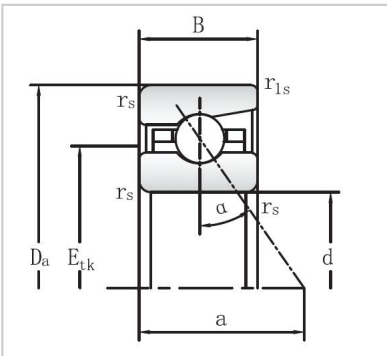


Angular Contact Ball Bearings

719 Series Angular Contact Ball Bearings-71924



Bearing NO.	71924
Dimensions	
d mm	120
D mm	165
B mm	22
r _s min	1.1
r _{1s} min	1.1
Assemnly Dimensions	
da h12	128
Da H12	157
ra max	0.6
rb max	0.6
E _{tk}	138.2
Loading	
C _{dyn} kN	69.5
C ₀ stat kN	80
RPM	
Grease min-1	6700
Oil minimal	10000
FV	
L (N)	591
M (N)	2087
H	4388
KaE	
L	1726
M	6291
H	13620
Sa	
L (N/μm)	256.2
M	411.5
H	555.9
Weight kg	1.2