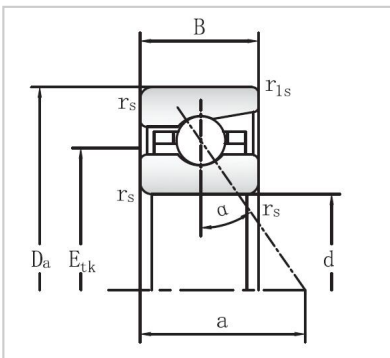


## Angular Contact Ball Bearings

### 719 Series Angular Contact Ball Bearings-71911



Bearing NO.	<b>71911</b>
Dimensions	
d mm	55
D mm	80
B mm	13
r <sub>s</sub> min	<b>1</b>
r <sub>1s</sub> min	<b>1</b>
Assemnly Dimensions	
da h12	60
Da H12	75.5
ra max	0.6
rb max	0.6
E <sub>tk</sub>	65.1
Loading	
C <sub>dyn</sub> kN	21.6
C <sub>0</sub> stat kN	19.3
RPM	
Grease min-1	15000
Oil minimal	24000
FV	
L (N)	149
M (N)	592
H	1287
KaE	
L	436
M	1791
H	4036
Sa	
L (N/μm)	115.5
M	194.2
H	267.4
Weight kg	0.18