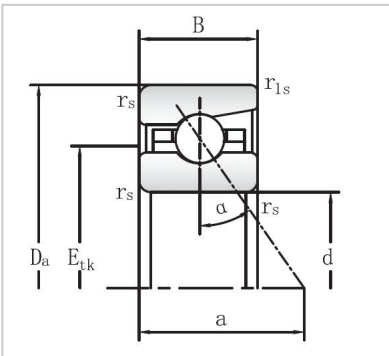


## Angular Contact Ball Bearings

### 719 Series Angular Contact Ball Bearings-71900



Bearing NO.	<b>71900</b>
Dimensions	
d mm	10
D mm	22
B mm	6
r <sub>s</sub> min	0.3
r <sub>1s</sub> min	0.3
Assemnly Dimensions	
da h12	13
Da H12	19.5
ra max	0.3
rb max	0.3
E <sub>tk</sub>	15.2
Loading	
C <sub>dyn</sub> kN	3
C <sub>0</sub> stat kN	1.53
RPM	
Grease min-1	70000
Oil minimal	110000
FV	
L (N)	14
M (N)	51
H	114
KaE	
L	44
M	179
H	438
Sa	
L (N/μm)	12.6
M	23.5
H	36.6
Weight kg	0.009