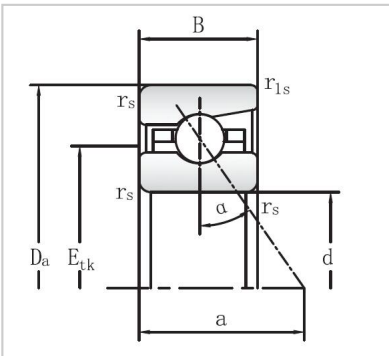


Angular Contact Ball Bearings

718 Series Angular Contact Ball Bearings-71836



Bearing NO.	71836
Dimensions	
d mm	180
D mm	225
B mm	22
r _s min	1.1
r _{1s} min	0.6
Assemnly Dimensions	
da h12	189
Da H12	216
ra max	1.1
rb max	0.6
E _{tk}	196.7
Loading	
C _{dyn} kN	71
C ₀ stat kN	93
RPM	
Grease min-1	4800
Oil minimal	7000
FV	
L (N)	372
M (N)	1250
H	2600
KaE	
L	1142
M	4151
H	9241
Sa	
L (N/μm)	129.2
M	222.3
H	322
Weight kg	1.7