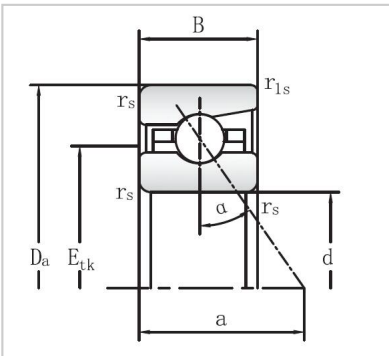


Angular Contact Ball Bearings

718 Series Angular Contact Ball Bearings-71830



Bearing NO.	71830
Dimensions	
d mm	150
D mm	190
B mm	20
r _s min	1.1
r _{1s} min	0.6
Assemnly Dimensions	
da h12	158
Da H12	182
ra max	1.1
rb max	0.6
E _{tk}	164.8
Loading	
C _{dyn} kN	56
C _{0stat} kN	69.5
RPM	
Grease min-1	6000
Oil minimal	9000
FV	
L (N)	281
M (N)	955
H	1995
KaE	
L	866
M	3180
H	7140
Sa	
L (N/μm)	108.7
M	188.1
H	274
Weight kg	1.1