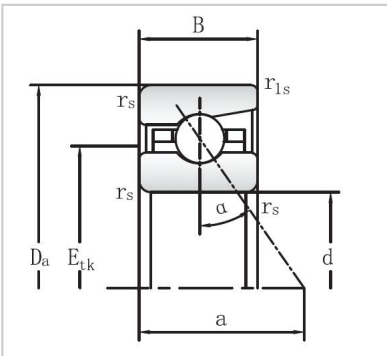


Angular Contact Ball Bearings

718 Series Angular Contact Ball Bearings-71824



Bearing NO.	71824
Dimensions	
d mm	120
D mm	150
B mm	16
r _s min	1
r _{1s} min	0.3
Assemnly Dimensions	
da h12	126
Da H12	143.5
ra max	1
rb max	0.3
E _{tk}	131.2
Loading	
C _{dyn} kN	32
C ₀ stat kN	39
RPM	
Grease min-1	7500
Oil minimal	12000
FV	
L (N)	146
M (N)	527
H	1119
KaE	
L	445
M	1734
H	3956
Sa	
L (N/μm)	80.1
M	141
H	206.3
Weight kg	0.5