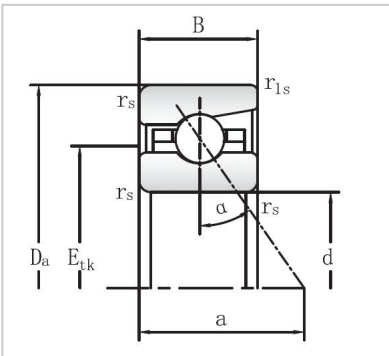


## Angular Contact Ball Bearings

### 718 Series Angular Contact Ball Bearings-71822



Bearing NO.	<b>71822</b>
Dimensions	
d mm	110
D mm	140
B mm	16
r <sub>s</sub> min	<b>1</b>
r <sub>1s</sub> min	0.3
Assemnly Dimensions	
da h12	116
Da H12	133.5
ra max	<b>1</b>
rb max	0.3
E <sub>tk</sub>	121.2
Loading	
C <sub>dyn</sub> kN	31.5
C <sub>0stat</sub> kN	36.5
RPM	
Grease min-1	8500
Oil minimal	14000
FV	
L (N)	146
M (N)	521
H	1105
KaE	
L	445
M	1721
H	3917
Sa	
L (N/μm)	77.1
M	135.8
H	198.7
Weight kg	0.5