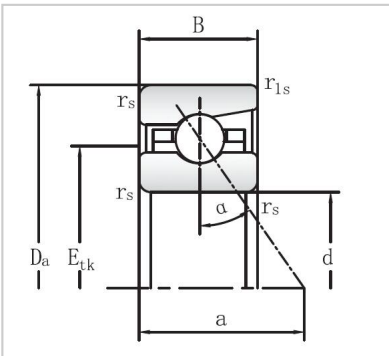


## Angular Contact Ball Bearings

### 718 Series Angular Contact Ball Bearings-71817



Bearing NO.	<b>71817</b>
Dimensions	
d mm	85
D mm	110
B mm	13
r <sub>s</sub> min	<b>1</b>
r <sub>1s</sub> min	0.3
Assemnly Dimensions	
da h12	90
Da H12	104.5
ra max	<b>1</b>
rb max	0.3
E <sub>tk</sub>	94.1
Loading	
C <sub>dyn</sub> kN	21.6
C <sub>0</sub> stat kN	24
RPM	
Grease min-1	11000
Oil minimal	18000
FV	
L (N)	93
M (N)	344
H	739
KaE	
L	281
M	1129
H	2603
Sa	
L (N/μm)	59.5
M	106.2
H	156.2
Weight kg	0.27