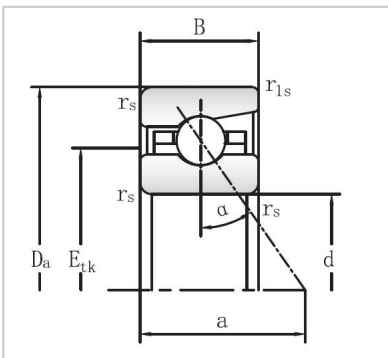


Angular Contact Ball Bearings

718 Series Angular Contact Ball Bearings-71813



Bearing NO.	71813
Dimensions	
d mm	65
D mm	85
B mm	10
r _s min	0.6
r _{1s} min	0.3
Assemnly Dimensions	
da h12	69
Da H12	80.5
ra max	0.6
rb max	0.3
E _{tk}	72.3
Loading	
C _{dyn} kN	13.4
C ₀ stat kN	14
RPM	
Grease min-1	15000
Oil minimal	24000
FV	
L (N)	51
M (N)	201
H	440
KaE	
L	154
M	660
H	1554
Sa	
L (N/μm)	43.6
M	79.9
H	118.6
Weight kg	0.13