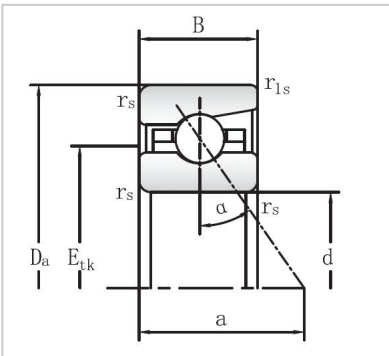


## Angular Contact Ball Bearings

### 718 Series Angular Contact Ball Bearings-71806



Bearing NO.	<b>71806</b>
Dimensions	
d mm	30
D mm	42
B mm	<b>7</b>
r <sub>s</sub> min	0.3
r <sub>1s</sub> min	0.1
Assemnly Dimensions	
da h12	33
Da H12	39
ra max	0.3
rb max	0.1
E <sub>tk</sub>	34.5
Loading	
C <sub>dyn</sub> kN	4.4
C <sub>0stat</sub> kN	3.65
RPM	
Grease min-1	30000
Oil minimal	45000
FV	
L (N)	16
M (N)	56
H	129
KaE	
L	48
M	183
H	456
Sa	
L (N/μm)	20.9
M	36.6
H	56
Weight kg	0.03