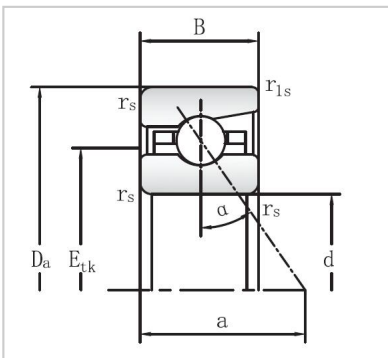


Angular Contact Ball Bearings

718 Series Angular Contact Ball Bearings-71804



Bearing NO.	71804
Dimensions	
d mm	20
D mm	32
B mm	7
r _s min	0.3
r _{1s} min	0.1
Assemnly Dimensions	
da h12	23
Da H12	29
ra max	0.3
rb max	0.1
E _{tk}	24.5
Loading	
C _{dyn} kN	3.8
C _{0stat} kN	2.65
RPM	
Grease min-1	43000
Oil minimal	63000
FV	
L (N)	15
M (N)	50
H	114
KaE	
L	46
M	166
H	411
Sa	
L (N/μm)	17.2
M	29.7
H	45.6
Weight kg	0.02