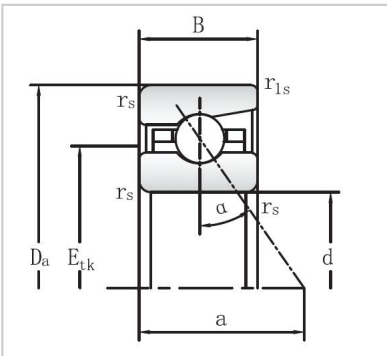


Angular Contact Ball Bearings

718 Series Angular Contact Ball Bearings-71801



Bearing NO.	71801
Dimensions	
d mm	12
D mm	21
B mm	5
r _s min	0.3
r _{1s} min	0.1
Assemnly Dimensions	
da h12	14
Da H12	19
ra max	0.3
rb max	0.1
E _{tk}	15.3
Loading	
C _{dyn} kN	2.08
C ₀ stat kN	1.18
RPM	
Grease min-1	67000
Oil minimal	100000
FV	
L (N)	7
M (N)	25
H	58
KaE	
L	21
M	82
H	207
Sa	
L (N/μm)	10.2
M	18.3
H	28.3
Weight kg	0.01