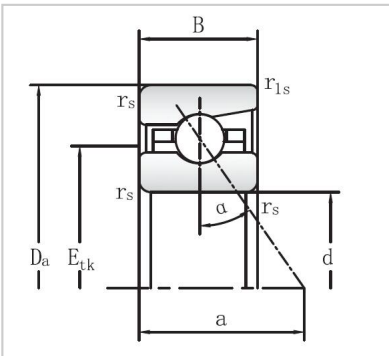


## Angular Contact Ball Bearings

### 718 Series Angular Contact Ball Bearings-71800



Bearing NO.	<b>71800</b>
Dimensions	
d mm	10
D mm	19
B mm	5
r <sub>s</sub> min	0.3
r <sub>1s</sub> min	0.1
Assemnly Dimensions	
da h12	12
Da H12	17
ra max	0.3
rb max	0.1
E <sub>tk</sub>	13.3
Loading	
C <sub>dyn</sub> kN	1.9
C <sub>0stat</sub> kN	0.98
RPM	
Grease min-1	75000
Oil minimal	120000
FV	
L (N)	<b>7</b>
M (N)	23
H	54
KaE	
L	21
M	76
H	194
Sa	
L (N/μm)	9.3
M	16.2
H	25.4
Weight kg	0.005