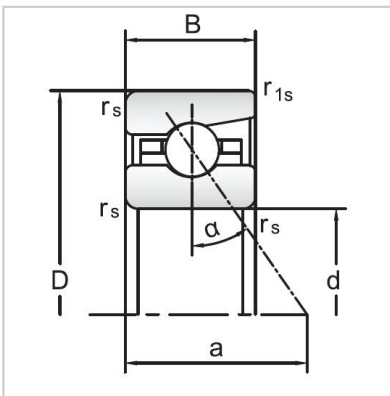
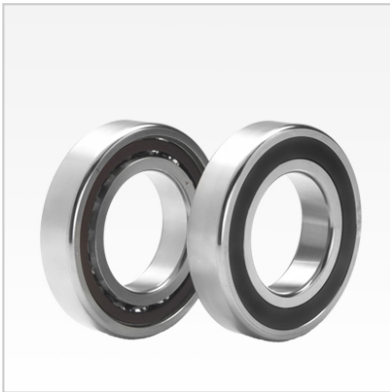


Angular Contact Ball Bearings

70 Series Angular Contact Ball Bearings-7040AC



Bearing NO.	7040AC
Dimensions(mm)	
d	200
D	310
B	51
r _{amin}	2.1
r _{1min}	1.1
Mounting dimensions	
da min	220
Da/Db max	290
ra max	2.1
rb max	1.1
Loading kN	
Cr	273.1
Cor	447.3
Limited Speed r/min	
Lub.	3600
Oil.	5300
Prelaoding N	
A(L)	2500
B(M)	7500
C(H)	75000
Axial rigidityRa N/μm	
A(L)	504
B(M)	707
C(H)	889
Weight Kg ≈	12.1