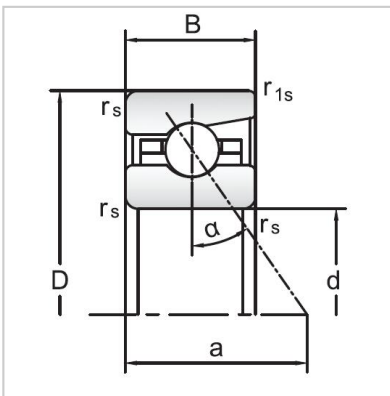
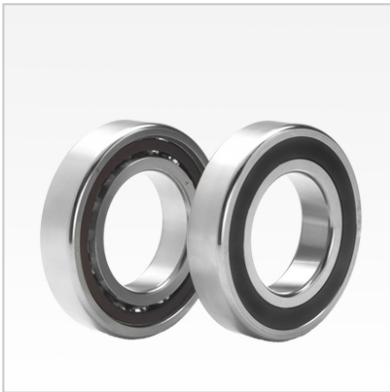


Angular Contact Ball Bearings

70 Series Angular Contact Ball Bearings-7038C



Bearing NO.	7038C
Dimensions(mm)	
d	190
D	290
B	46
ramin	2.1
r1min	1.1
Mounting dimensions	
da min	211.5
Da/Db max	269
ra max	2.1
rb max	1.1
Loading kN	
Cr	235.1
Cor	370.8
Limited Speed r/min	
Lub.	4300
Oil.	6300
Prelaoding N	
A(L)	1300
B(M)	3800
C(H)	7600
Axial rigidityRa N/μm	
A(L)	179
B(M)	260
C(H)	328
Weight Kg ≈	9.61