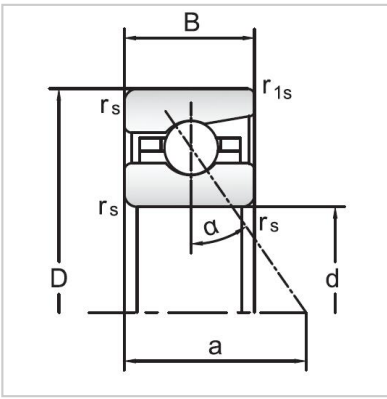
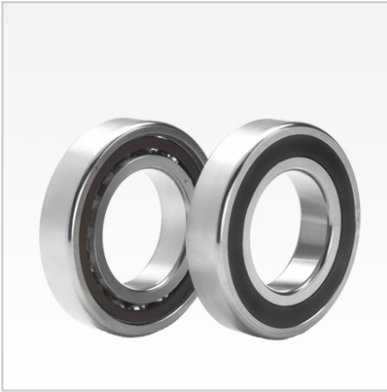


Angular Contact Ball Bearings

70 Series Angular Contact Ball Bearings-7038AC



Bearing NO.	7038AC
Dimensions(mm)	
d	190
D	290
B	46
ramin	2.1
r1min	1.1
Mounting dimensions	
da min	211.5
Da/Db max	269
ra max	2.1
rb max	1.1
Loading kN	
Cr	222.1
Cor	351.8
Limited Speed r/min	
Lub.	3800
Oil.	5600
Prelaoding N	
A(L)	2000
B(M)	6000
C(H)	12000
Axial rigidityRa N/μm	
A(L)	483
B(M)	678
C(H)	852
Weight Kg ≈	9.61