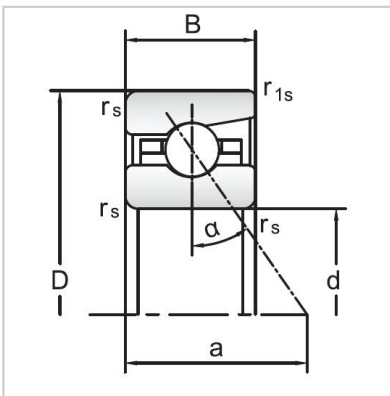
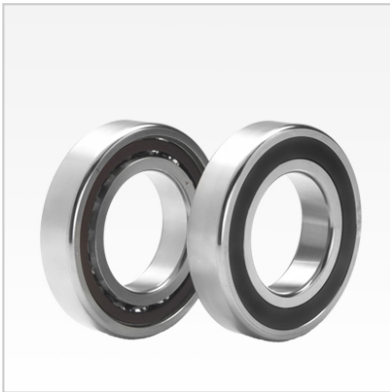


## Angular Contact Ball Bearings

### 70 Series Angular Contact Ball Bearings-7032C



Bearing NO.	<b>7032C</b>
Dimensions(mm)	
d	160
D	240
B	38
ramin	2.1
r1min	1.1
Mounting dimensions	
da min	174.5
Da/Db max	225.5
ra max	2.1
rb max	1.1
Loading kN	
Cr	189.1
Cor	264.5
Limited Speed r/min	
Lub.	5000
Oil.	7500
Prelaoding N	
A(L)	1000
B(M)	3000
C(H)	6000
Axial rigidityRa N/μm	
A(L)	151
B(M)	220
C(H)	278
Weight Kg ≈	5.07