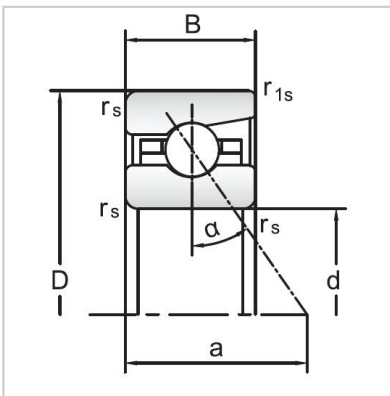
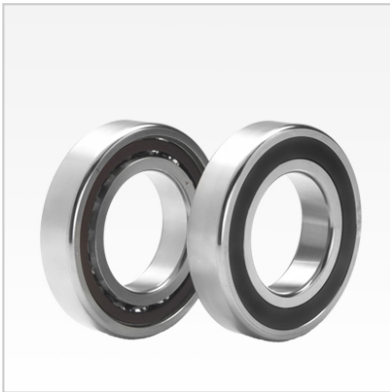


Angular Contact Ball Bearings

70 Series Angular Contact Ball Bearings-7030C



Bearing NO.	7030C
Dimensions(mm)	
d	150
D	225
B	35
ramin	2.1
r1min	1.1
Mounting dimensions	
da min	163.5
Da/Db max	211.5
ra max	2.1
rb max	1.1
Loading kN	
Cr	168.4
Cor	232.5
Limited Speed r/min	
Lub.	5600
Oil.	8500
Prelaoding N	
A(L)	900
B(M)	2700
C(H)	5400
Axial rigidityRa N/μm	
A(L)	143
B(M)	207
C(H)	262
Weight Kg ≈	4.1