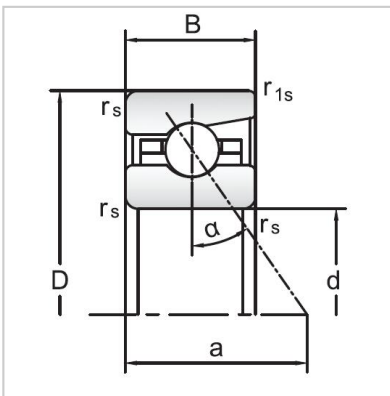
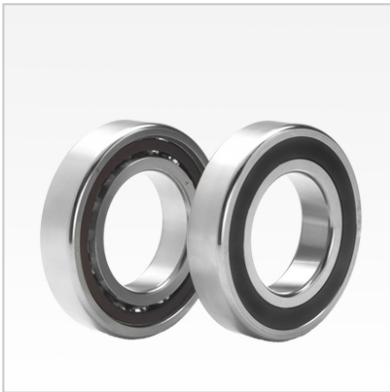


## Angular Contact Ball Bearings

### 70 Series Angular Contact Ball Bearings-7026C



Bearing NO.	<b>7026C</b>
Dimensions(mm)	
d	130
D	200
B	33
ramin	<b>2</b>
r1min	1
Mounting dimensions	
da min	142.5
Da/Db max	187.5
ra max	<b>2</b>
rb max	1
Loading kN	
Cr	144.8
Cor	190.8
Limited Speed r/min	
Lub.	6700
Oil.	10000
Prelaoding N	
A(L)	750
B(M)	2200
C(H)	4400
Axial rigidityRa N/μm	
A(L)	129
B(M)	187
C(H)	236
Weight Kg ≈	3.18