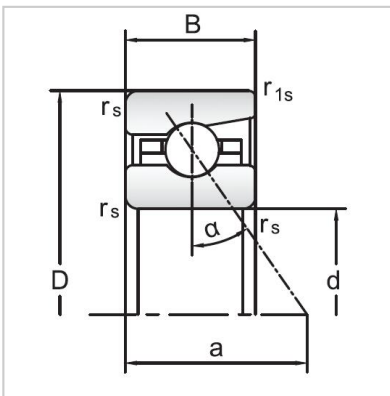
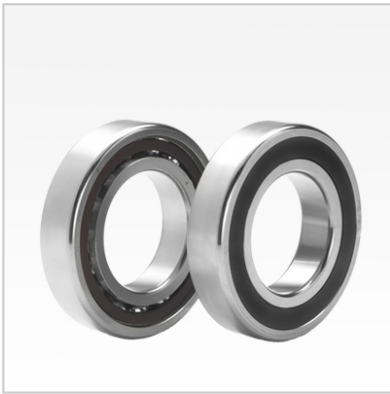


Angular Contact Ball Bearings

70 Series Angular Contact Ball Bearings-7024C



Bearing NO.	7024C
Dimensions(mm)	
d	120
D	180
B	28
r _{amin}	2
r _{lmin}	1
Mounting dimensions	
da min	131
Da/Db max	169
ra max	2
rb max	1
Loading kN	
Cr	112.7
Cor	148.7
Limited Speed r/min	
Lub.	7000
Oil.	11000
Prelaoding N	
A(L)	600
B(M)	1800
C(H)	3600
Axial rigidityRa N/μm	
A(L)	116
B(M)	169
C(H)	213
Weight Kg ≈	2.11