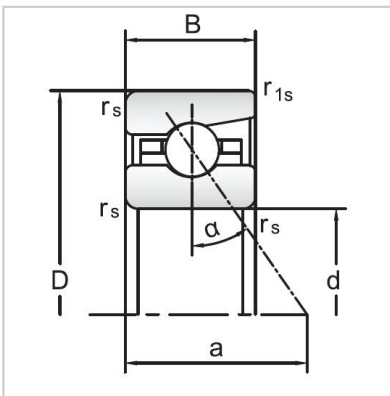
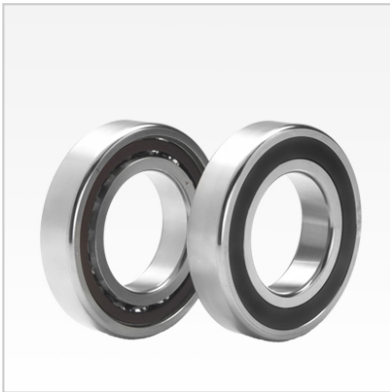


Angular Contact Ball Bearings

70 Series Angular Contact Ball Bearings-7021AC



Bearing NO.	7021AC
Dimensions(mm)	
d	105
D	160
B	26
r _{amin}	2
r _{lmin}	1
Mounting dimensions	
da min	115
Da/Db max	150
ra max	2
rb max	1
Loading kN	
Cr	88.8
Cor	112.2
Limited Speed r/min	
Lub.	7000
Oil.	11000
Prelaoding N	
A(L)	800
B(M)	2400
C(H)	4800
Axial rigidityRa N/μm	
A(L)	276
B(M)	387
C(H)	487
Weight Kg ≈	1.58