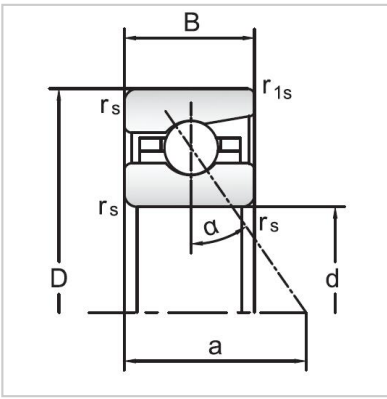
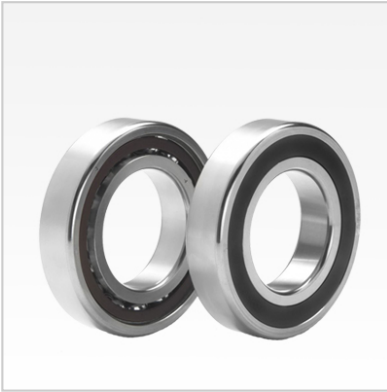


## Angular Contact Ball Bearings

### 70 Series Angular Contact Ball Bearings-7019C



Bearing NO.	<b>7019C</b>
Dimensions(mm)	
d	95
D	145
B	24
r <sub>amin</sub>	1.5
r <sub>lmin</sub>	0.6
Mounting dimensions	
da min	104
Da/Db max	136
ra max	1.5
rb max	0.6
Loading kN	
Cr	79.1
Cor	97.6
Limited Speed r/min	
Lub.	8500
Oil.	14000
Prelaoding N	
A(L)	420
B(M)	1250
C(H)	2500
Axial rigidityRa N/μm	
A(L)	94
B(M)	137
C(H)	173
Weight Kg ≈	1.2