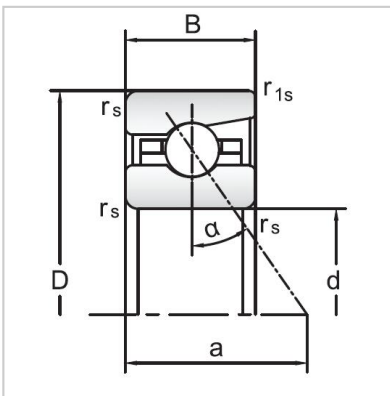
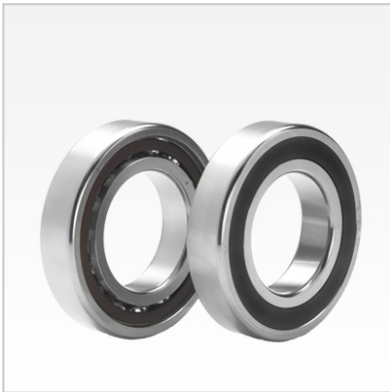


Angular Contact Ball Bearings

70 Series Angular Contact Ball Bearings-7018C



| | |
|-----------------------|--------------|
| Bearing NO. | 7018C |
| Dimensions(mm) | |
| d | 90 |
| D | 140 |
| B | 24 |
| r _{amin} | 1.5 |
| r _{1min} | 0.6 |
| Mounting dimensions | |
| da min | 100.5 |
| Da/Db max | 130 |
| ra max | 1.5 |
| rb max | 0.6 |
| Loading kN | |
| Cr | 66.9 |
| Cor | 84 |
| Limited Speed r/min | |
| Lub. | 9000 |
| Oil. | 15000 |
| Prelaoding N | |
| A(L) | 360 |
| B(M) | 1050 |
| C(H) | 2100 |
| Axial rigidityRa N/μm | |
| A(L) | 89 |
| B(M) | 129 |
| C(H) | 163 |
| Weight Kg ≈ | 1.18 |