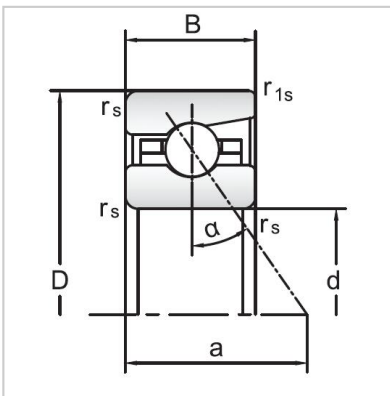


Angular Contact Ball Bearings

70 Series Angular Contact Ball Bearings-7017C



Bearing NO.	7017C
Dimensions(mm)	
d	85
D	130
B	22
ramin	1.1
r1min	0.6
Mounting dimensions	
da min	93
Da/Db max	122
ra max	1.1
rb max	0.6
Loading kN	
Cr	63.3
Cor	75
Limited Speed r/min	
Lub.	9500
Oil.	16000
Prelaoding N	
A(L)	340
B(M)	1000
C(H)	2000
Axial rigidityRa N/μm	
A(L)	82
B(M)	119
C(H)	150
Weight Kg ≈	0.87